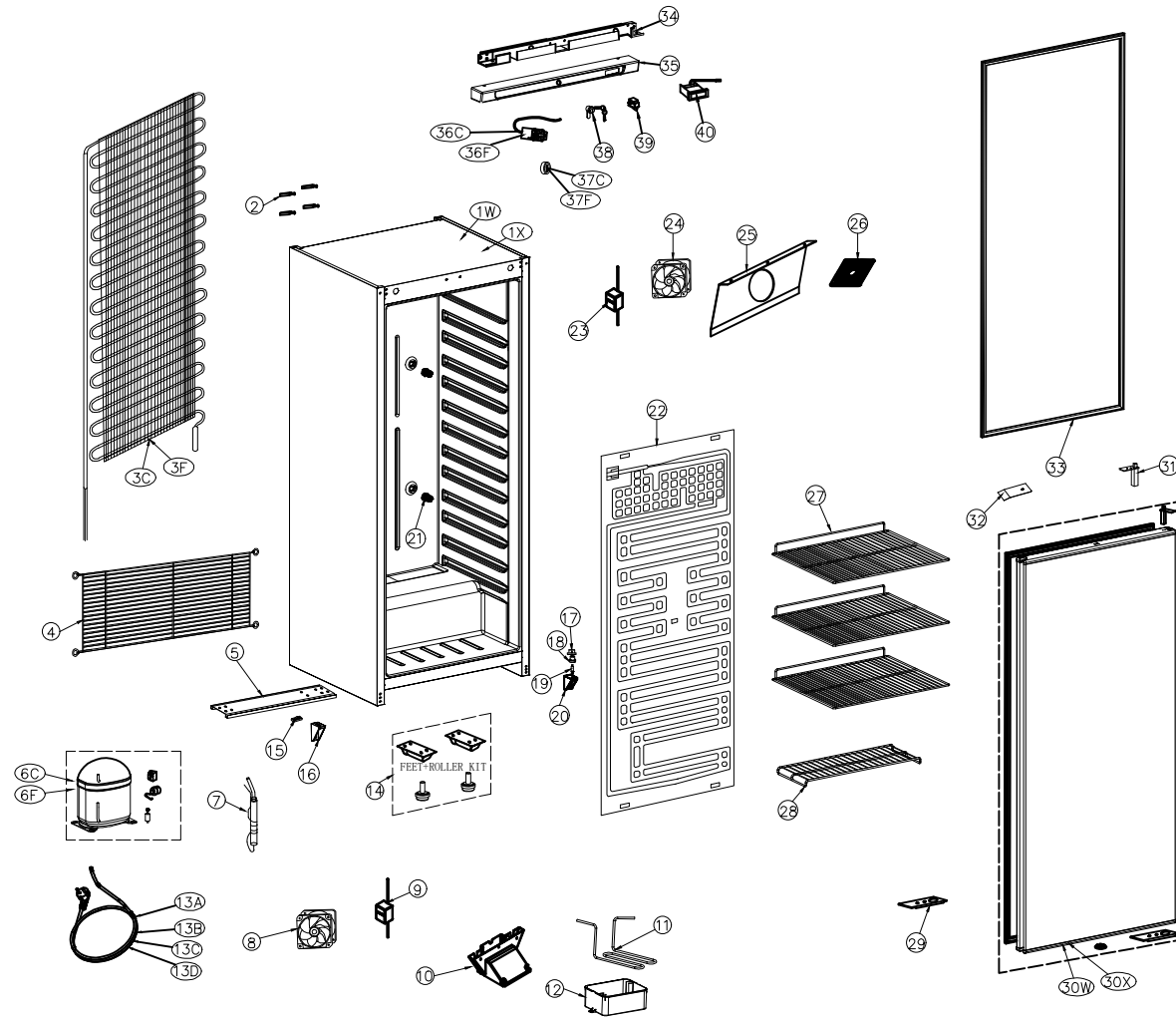
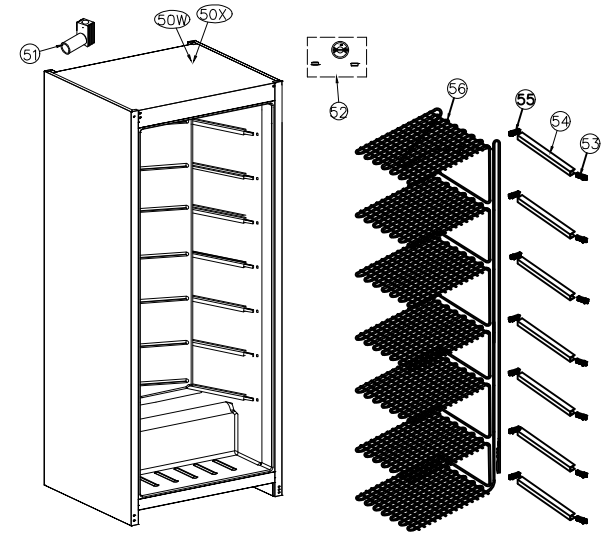


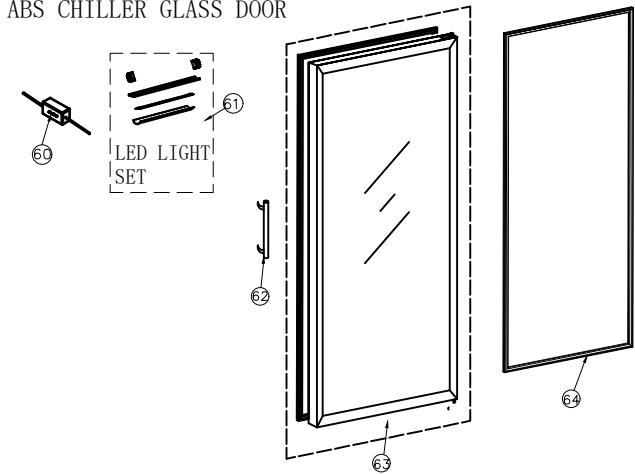
ABS CHILLER SOLID DOOR




ABS FREEZER



ABS CHILLER GLASS DOOR



Legenda:
 W=White Range
 X=S/S Range
 C=Chiller
 F=Freezer

| | | | | | |
|---|------------|--------------------------------|--------------------------|--------------------|----------|
| DATE:2020/05/09 | VERSION:A1 | Unify all 400/600 Range | | DESIGN BY: Alberto | |
| DATE:2019/08/27 | VERSION:A0 | DESCRIPTION | | DESIGN BY: | |
|  | | SCALE | MODEL | Q. TY | REMARKS: |
| | | 1:1 | Ux400 Ser. Ux600 Ser. | | |
| MATERIAL:S4 | | UR/URX/UF/UFX/URG/URXG 400-600 | | | |
| DESIGN BY:Jessie | | EXPLODED VIEW | | | |
| APPROVED BY:Alberto | | CATEGORY | TYPE | GROUP | PART N° |
| DATE:2017/05/03 | | EV | 1CB0 | A1 | 1200 |

| Item Descr | UR 400 | |
|----------------|--------------|---|
| BOM Num | 1 | |
| Build Quan | 1 | |
| Fixed Cost | 0 | |
| Remark | | |
| Unit | pc | |
| BOM Components | | |
| Lev. 0 | Item Number | Descr |
| | EV1CB0A11200 | UR/UF 400-600 Lt Ser. - EXPLODED VIEW DRAW.(Ver.A1 - S12) |
| 1W | S41AR00A0001 | CR 4-STELL PAINTED FOAMED ASSEMBLY BODY (White Color - S12) |
| 1X | S51AR20A0001 | CRX 4-STAINLESS STELL FOAMED ASSEMBLY BODY (S/S Color-S12) |
| 2 | P01AQ28A0002 | CR/CN 2-4-6 Series - REAR CONDENSER SPACER - (S12) |
| 3C | I01AR08A0001 | CR/CRX/CN/CNX 4 - WIRE CONDENSER - (S12) |
| 4 | I01AR09A0003 | CR/CN 4 Series - REAR ENGINE ROOM GRID (Black Color-S12) |
| 5 | Z01AR03A0004 | CR/CN 4 - REAR ENGINE PLATE (Roller/Castor/ S/S Feet -S12) |
| 6C | E27B6F2D0000 | EKZ80L COMP. DONPER R600a-220/240V 50Hz-1/5 HP RSCR: |
| 6F | E27B2I3D0000 | LK68CU1 COMP.DONPER R290-220/240V 50Hz-5/16 HP CSIR: |
| 7 | C01AE66A0001 | 400-600 ABS Ser./CR Salad./CR-CN 7/14 Ser-DRIER FILTER (S12) |
| 8 | E17I1A027000 | RDM1225B:12Vdc,0,23A, 2,76W - Wire Lenght 300mm |
| 9 | E26B20120031 | AC/DC ADAPTER MOD.HYD-1200300EU - (Male Connector) |
| 10 | P01AR63A0002 | CR/CN 6 - CR/CN4 - ABS CONDENSER FAN CONVEYOUR (Gray - S12) |
| 11 | C01AR06A0001 | CR 4/CRX 4 - CONNECTING PIPE - (S12) |
| 12 | P01AE63A0004 | RC 600/RC 400/Saladette CR Series/BBC 386 - WATER TRAY-(S12) |
| 13A | E25EUG307525 | POWER CORD 3x0.75 mmq - EU PLUG - GRAY COLOR 2,5 Mt. |
| 13B | E25EUK307525 | POWER CORD 3x0,75 mmq - UK PLUG - BLACK COLOR 2.5 Mt |
| 13C | E25AUB307525 | POWER CORD 3x0,75 mmq - AUSTRALIAN PLUG - BLACK COLOR 2,5 Mt |
| 13D | E25INB307525 | POWER CORD 3x0,75 mmq - INDIA PLUG - BLACK COLOR 2.5 Mt |
| 14 | KITFT1AE6A00 | RC/RN 600-CR/CRX 4-FEET andROLLERS KIT(N.2 FOOT+N.2 ROLLERS) |
| 15 | N01AE62A0007 | RC 400/600-RN 400/600 - DOOR PULLEY ON LEFT BOTTOM HINGE |
| 16 | A01AE62A0003 | RC 400/600-RN 400/600 - BOTTOM LEFT HINGE (Aluminium Color) |
| 17 | N01AE62A0009 | RC/RN 400/600-CR/CN 7-14 - NYLON UP SLIP COVER (White-S12) |
| 18 | Z01AE62A0012 | RC/RN 400/600-CR/CN 7-14 - DOWN TURN AXIS - (S12) |
| 19 | Z01AE62A0005 | RC/RN 400/600-CR/CN 7-14-PIVOT BOTTOM/UPPER RIGHT HINGE-(S12) |
| 20 | A01AE62A0004 | RC 400/600-RN 400/600 - BOTTOM RIGHT HINGE(Aluminium Color) |
| 21 | P01AE60A0006 | RC 600/RC 400 - SUPPORT FOR ROLL BOND EVAPORATOR |
| 22 | A01AR07A0001 | CR/CRX 4 - ROLL BOND EVAPORATOR+CAPILLARY (White Color-S12) |
| 23 | E26B20120031 | AC/DC ADAPTER MOD.HYD-1200300EU - (Male Connector) |
| 24 | E17I1A013000 | RDM8025B:12Vdc,0,11A,1,32W-Wire Lenght 300mm |
| 25 | S41AR00A0003 | CR/CRX 4 - EVAPORATOR FAN (Axial) SUPPORT (White color-S12) |
| 26 | P01AZ67A0003 | RC/RCG xxxMED Series -EVAPORATOR FAN SAFETY GRID - (S12) |
| 27 | I01AR29A0001 | CR/CRX 4-UPPER/MIDDLE SHELF (Dim.486*410 mm-GAP 10mm)-S12 |
| 28 | I01AR29A0002 | CR/CRX 4 - BOTTOM SHELF (Dim.502*200 mm-GAP 20mm)-S12 |
| 29 | S41AE02A0007 | RC/RN 400/600 -BOTTOM TURN AXIS REINFORC.(New self clos.S12) |
| 30W | S41AE02A0006 | RC/RN 400 -DOOR (Gasket+ NEW Self Clos.+Cap) - GRAY Col. |
| 30X | S51AE22A0005 | RCX/RNX 400 -DOOR (Gasket+ NEW Self Clos.+Cap) - GRAY Col. |
| 31 | Z01AE62A0006 | ABS 400/600 - CR/QR/CN/QN 7-14-SELF CLOSING SPRING-(S12) |
| 32 | P01AD22A0010 | RC/RN/CR/CN ABS Series - UPPER SWITCH STOPPER - (S12) |

| | | |
|------------|--------------|---|
| 33 | R01AE02A0005 | RC 400/RN 400 - DOOR GASKET (New design) |
| 34 | Z01AE01A0011 | RC 400/RN 400-UPPER PANEL HOLDER (New self closing - S12) |
| 35 | P01AE01A0002 | RC/RN 400-TOP PANEL GREY COLOR(CHI DESIGN:DOOR SW+BUZZER) |
| 36C | E20A001C1R10 | WPF1.5E THERMOSTAT (R600a - ABS Range) |
| 36F | E20A001F0W07 | WPF 24-150 - SERIES WPF THERMOSTAT |
| 37C | P01CA61A0002 | UR Ser. - FLAT THERMOSTAT KNOB + ROUND STICKER (Chiller-S12) |
| 37F | P01CA81A0002 | UF Ser. - FLAT THERMOSTAT KNOB + ROUND STICKER (Freezer-S12) |
| 38 | Z01AE61A0014 | RC 400/600-RN 400/600-LOCK+N.2 KEY(Door whit steel prof.) |
| 39 | E2309WH00002 | HF-D02-1A-2B DOOR SWITCH (2P) 250VAC-4A; CONTACT NO |
| 40 | E28C71295015 | DIGITAL THERMOM.-Dim.71X29-RANGE -50~+150C°-SF:SF-100P |
| 50W | S41AR40A0001 | CN 4-STELL PAINTED FOAMED ASSEMBLY BODY (White Color - S12) |
| 50X | S51AR50A0001 | CNX 4 - STAINLESS STELL FOAMED ASSEMBLY BODY (S/S Color-S12) |
| 51 | A01AR40A0002 | CN/CNX 4 - PRESSURE BALANCE VALVE - (S12) |
| 52 | P01AR40A0004 | CN/CNX 4-PRESS.BALANCE VALVE HOLDER+UPPER/BOTTOM COVER-(S12) |
| 53 | P01AF07A0004 | RN 600/RN 400 - LEFT SUPPORT FOR SHELVES EVAPORATOR |
| 54 | A01AE47A0002 | RN 400 - FRONTAL EVAPORATOR STRIPES |
| 55 | P01AF07A0003 | RN 600/RN 400 - RIGHT SUPPORT FOR SHELVES EVAPORATOR |
| 56 | I01AR47A0001 | CN/CNX 4 - SHELVES EVAPORATOR (White Color - 425x412mm) |
| 60 | E26I30121200 | OUTPUT SUPPLY MW TYPE:APV-12-12; 12W (led light) |
| 61 | E22AL0031020 | LED STRIPES LAMP SET - 12VDC 1,2W-N°21 HIGH BRIGHT |
| 62 | S21AZ72A0007 | CRG 4/6 - RCG MED - S/S CYLINDRIC HANDLE (Glass door-S12) |
| 63 | A01AE12A0001 | RCG/RCXG 400-DOOR(Gasket+Cylicndric HandleCap+Down Axis)Alum. |
| 64 | R01AE12A0002 | RCG 400/RCXG 400 - DOOR GASKET |

